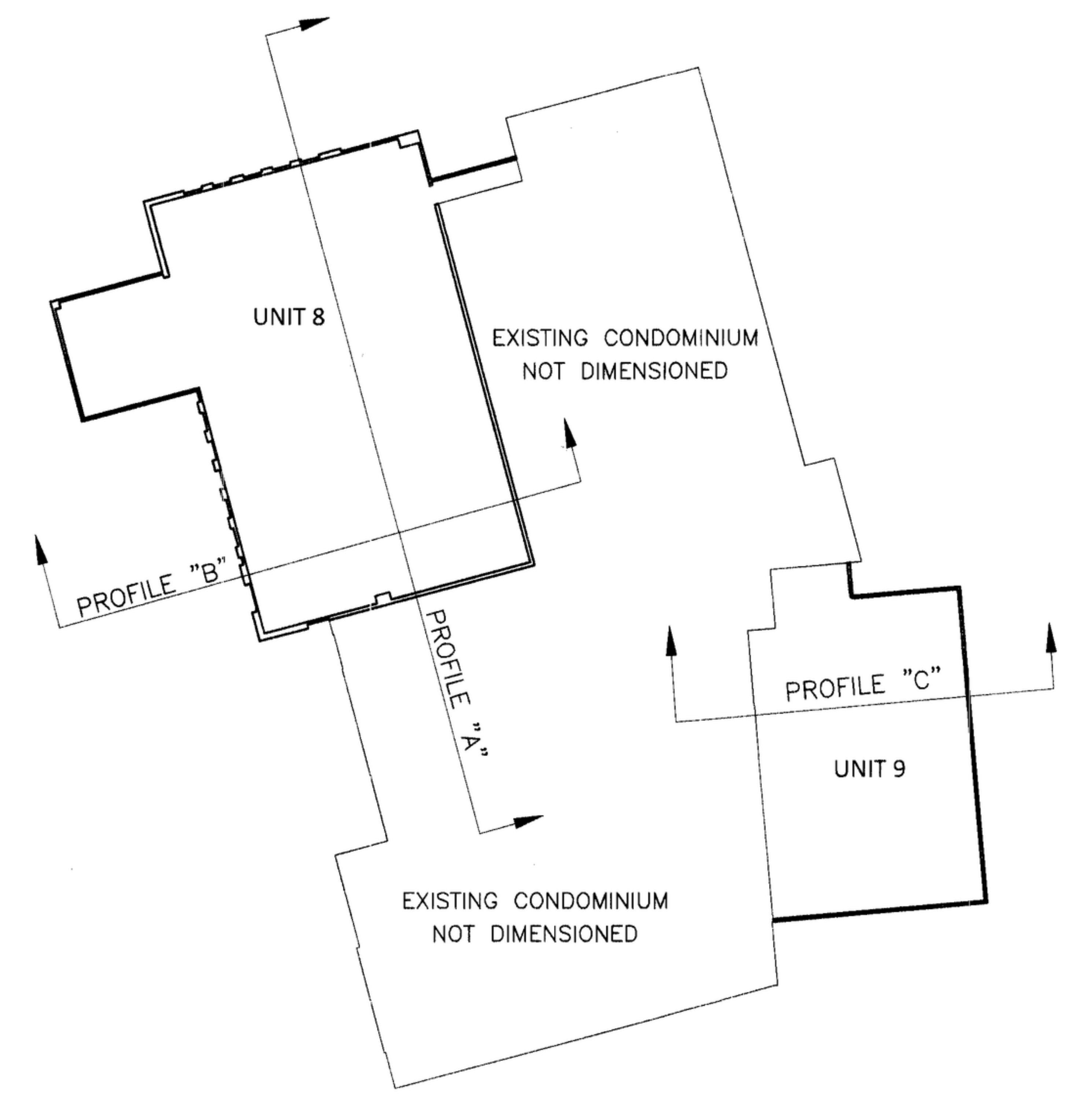
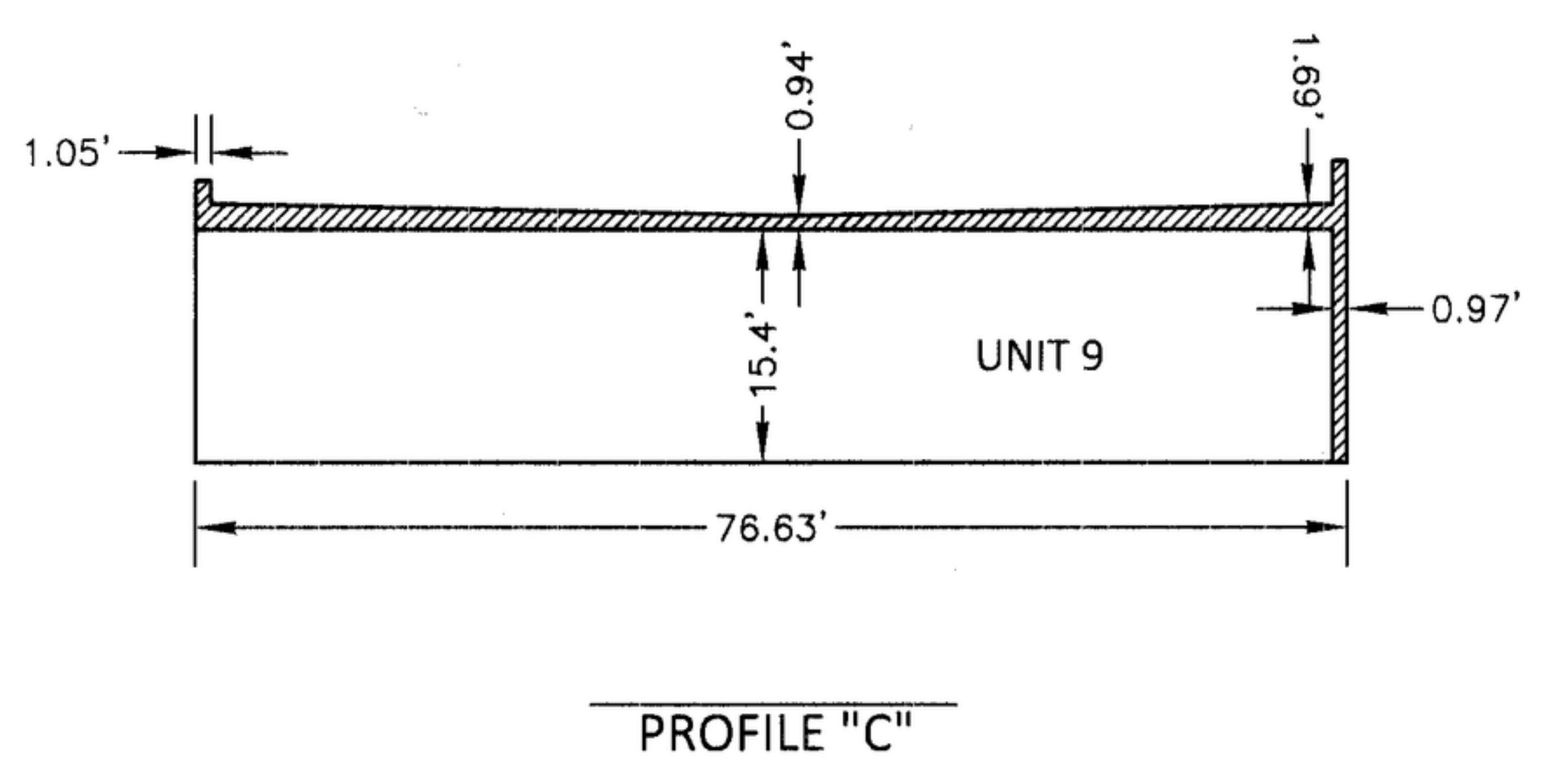
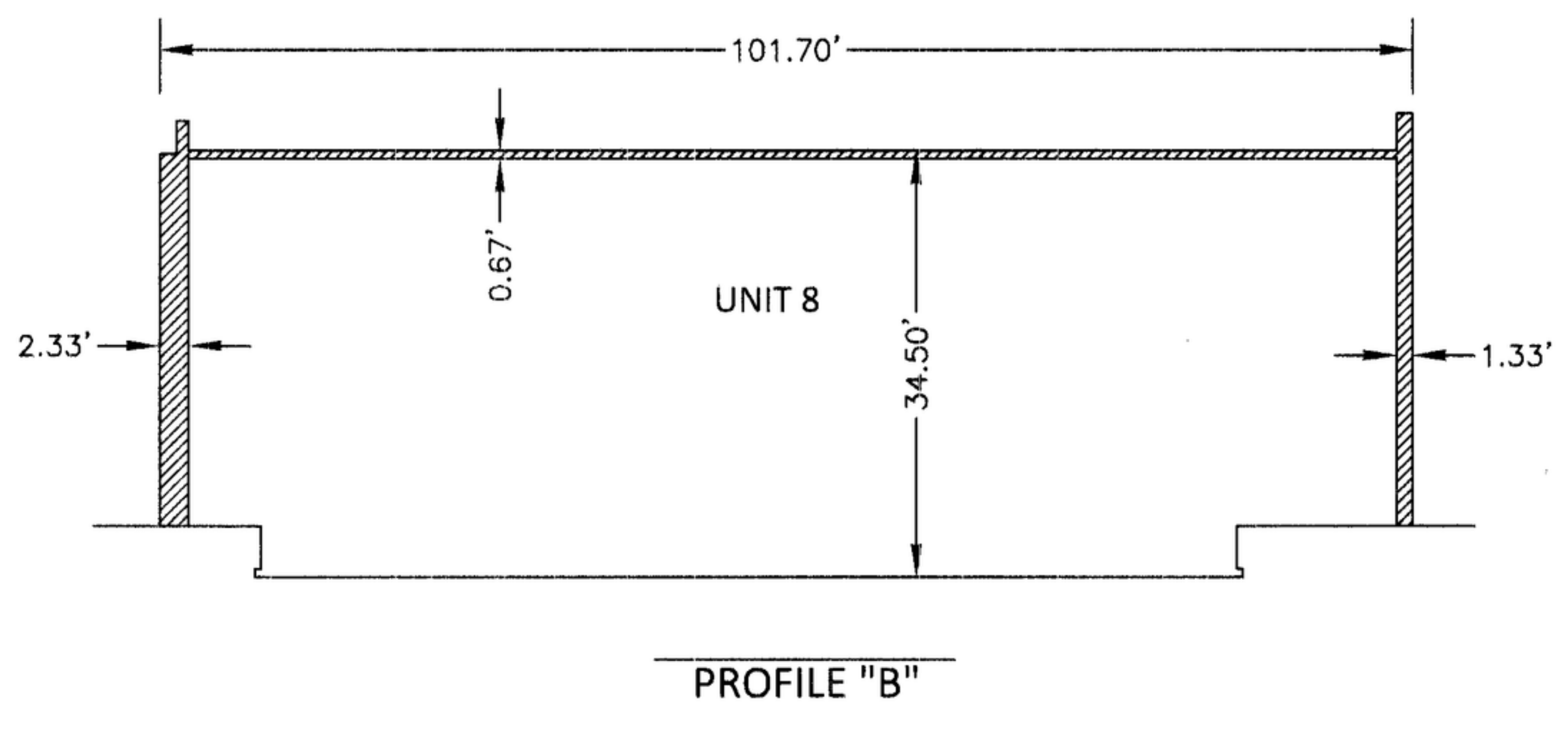
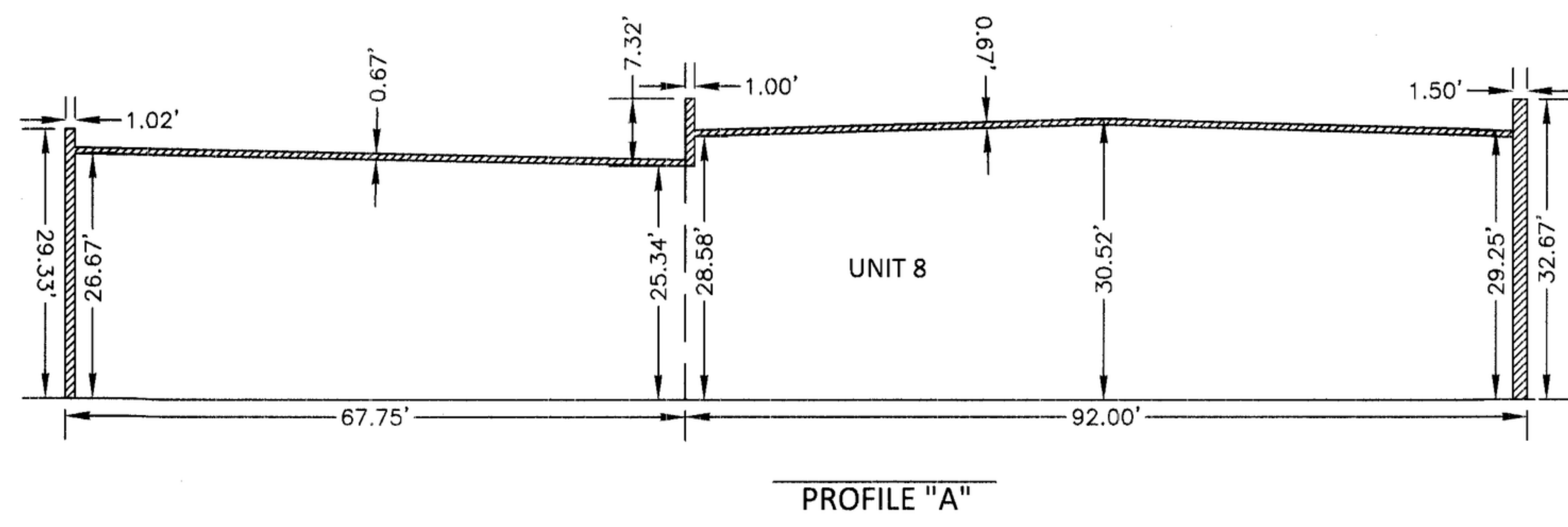
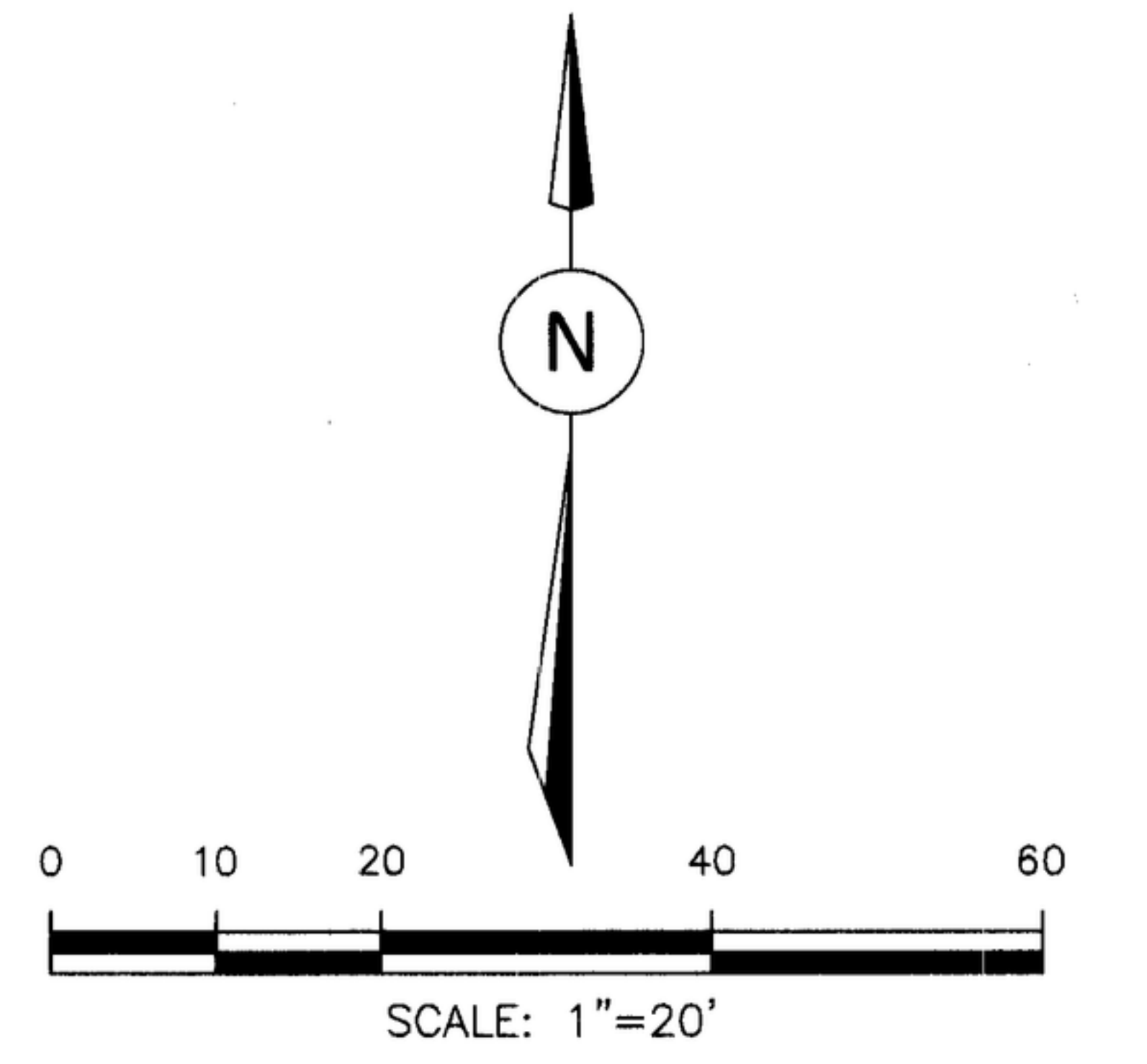


# PLAT OF HEALTHY LIVING CONDOMINIUMS No. 2



SCALE: 1"=60'

PROFILE OVERVIEW



## BUILDING PROFILES

### LEGEND

- UNIT BOUNDARY
- ▨ LIMITED COMMON AREA 7
- UNIT 8
- UNIT NUMBER



7/28/22

DEVELOPER  
**YMCA**  
 BOISE, IDAHO

