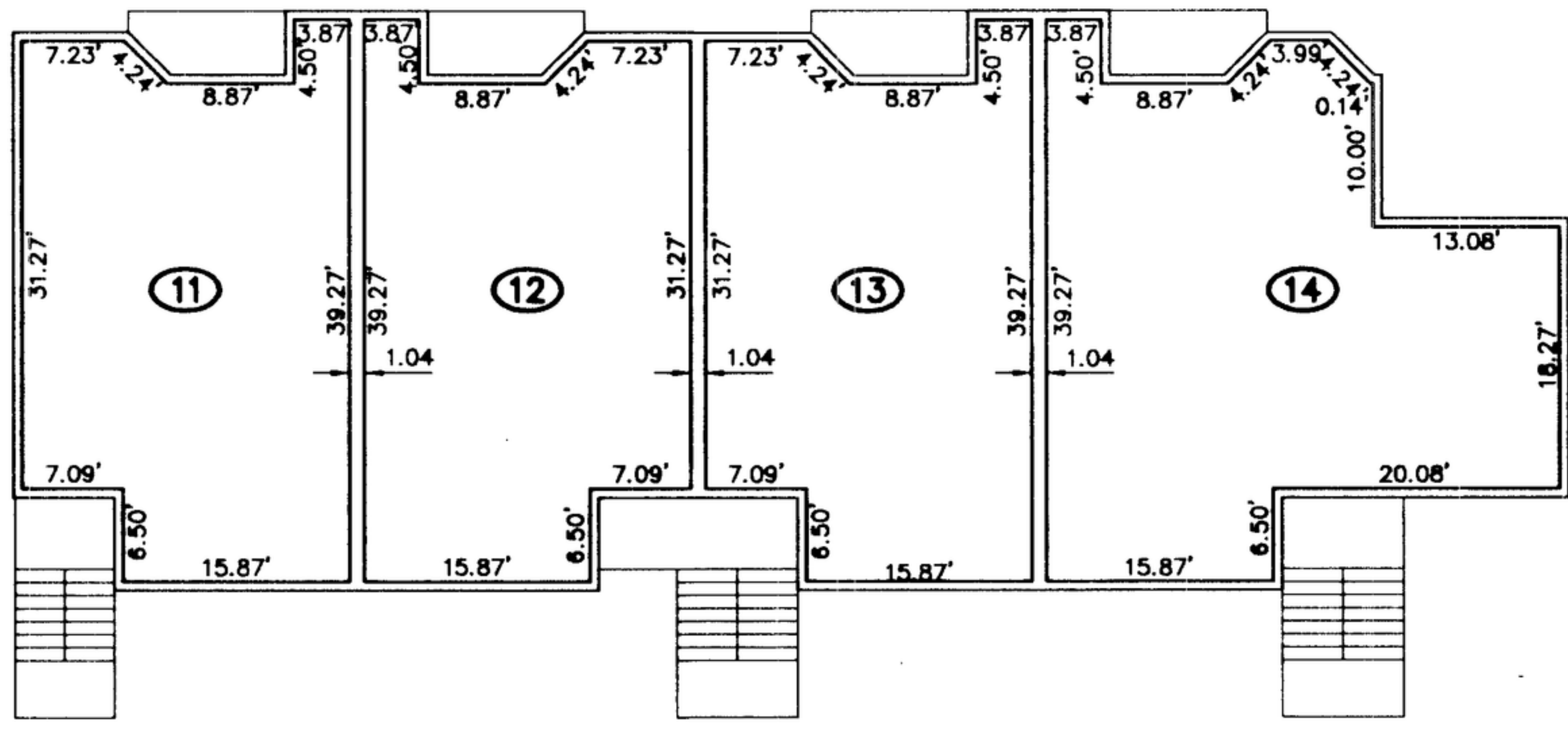
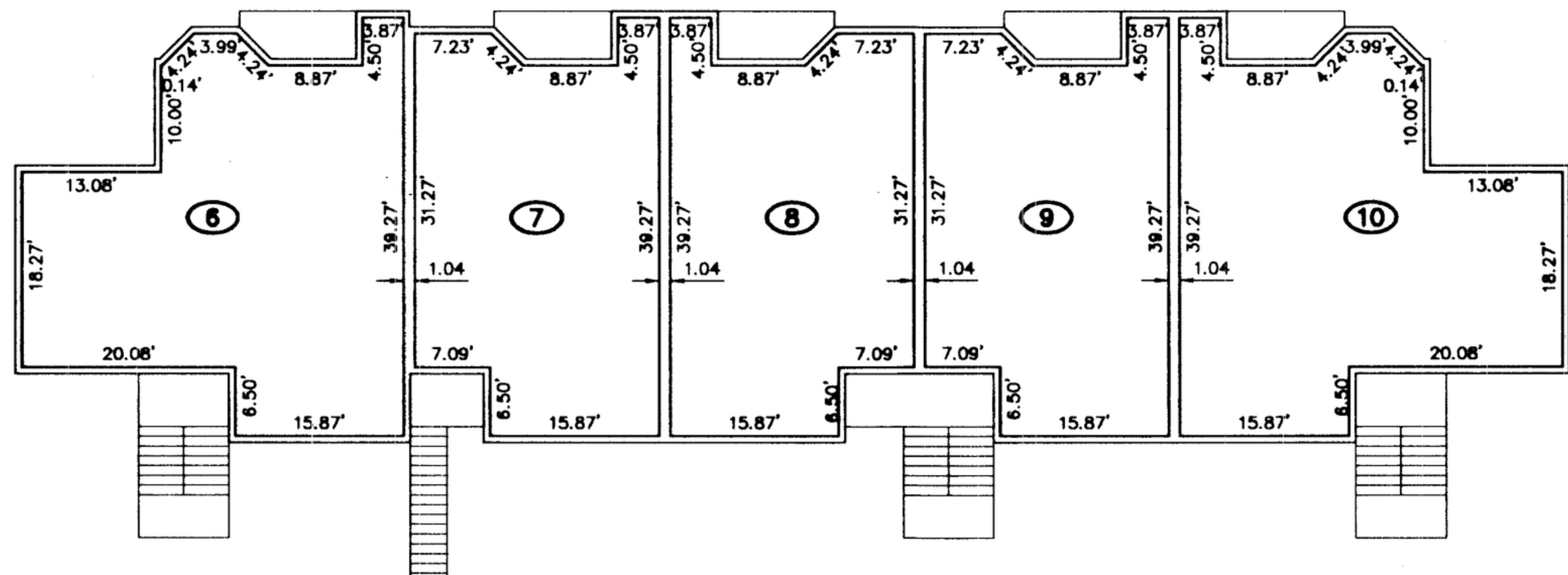


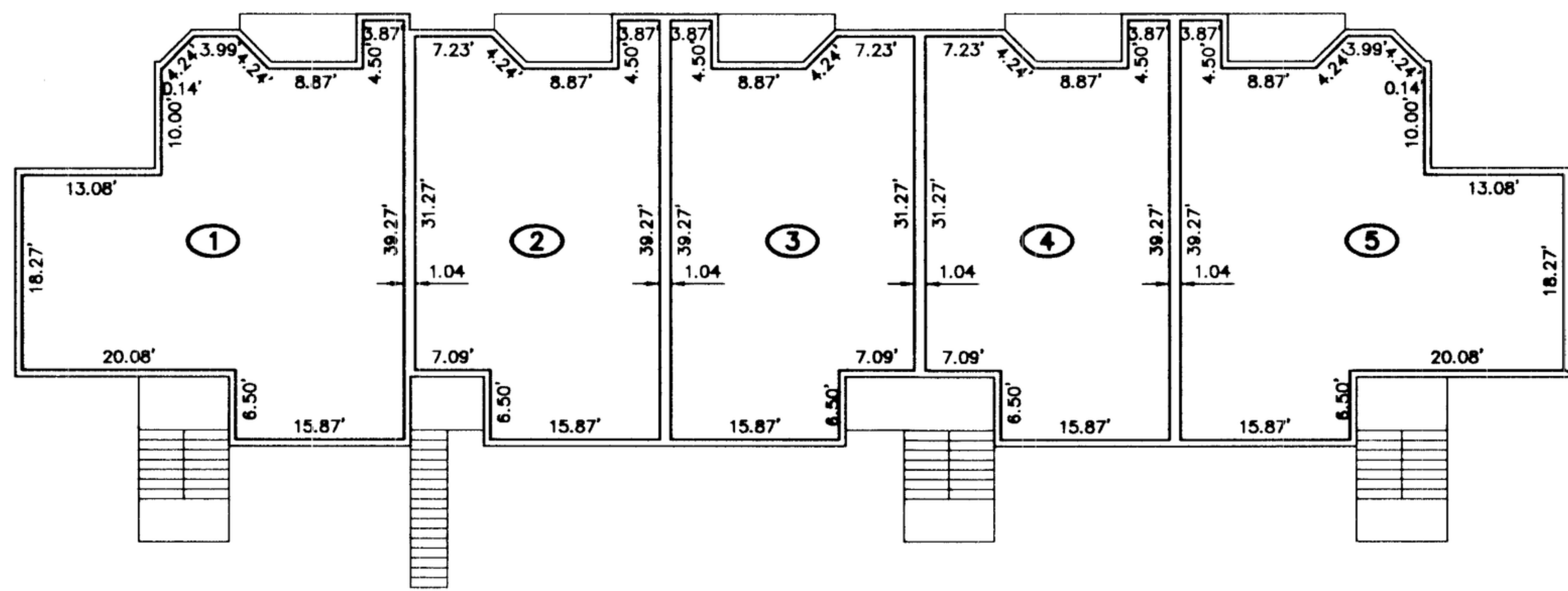
**TOMLINSON CONDOMINIUMS PHASE 2
BUILDING 5 UNIT PLANS**



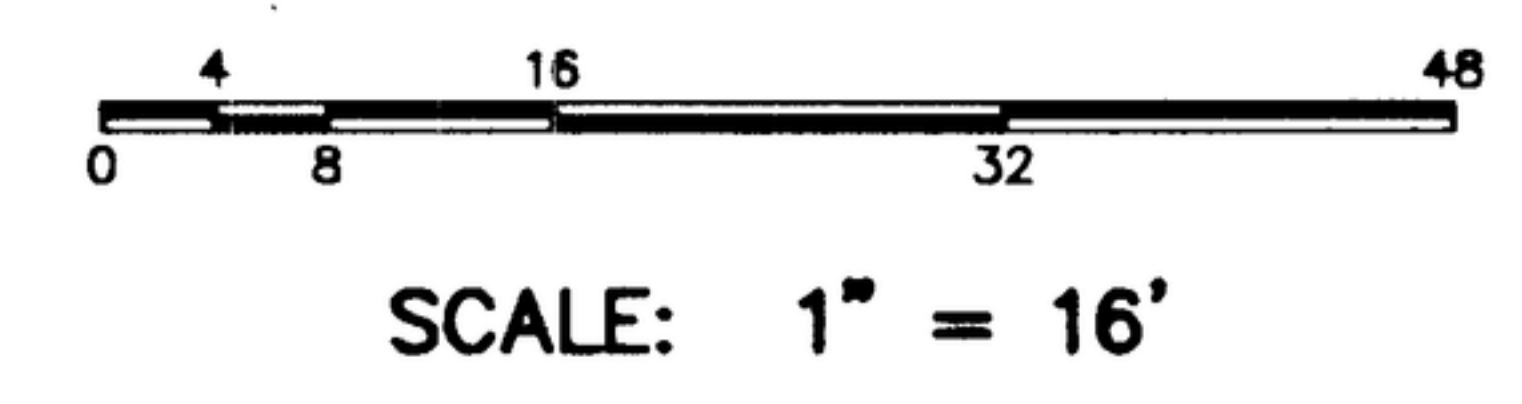
THIRD FLOOR



SECOND FLOOR



FIRST FLOOR
BUILDING 5 UNIT PLAN



LEGEND

- EXTERIOR WALLS
- UNIT BOUNDARY
- UNIT NUMBER
- PATIO (LIMITED COMMON AREA)
- ENTRY STAIRS (COMMON AREA)

N 58°44'37" W
166.46'
BUILDING TIE
(SEE SHEET 3 OF 6)

	⑪	⑫	⑬	⑭	ELEV. 24.75
⑥	⑦	⑧	⑨	⑩	ELEV. 17.18
①	②	③	④	⑤	ELEV. 16.16
					ELEV. 8.59
					ELEV. 7.57
					ELEV. 0.00

BUILDING 5 ELEVATION

NOTES:

1. ALL UNIT ANGLES ARE 90° OR 45°.
2. WALL THICKNESS IS 0.61' UNLESS SHOWN OTHERWISE.